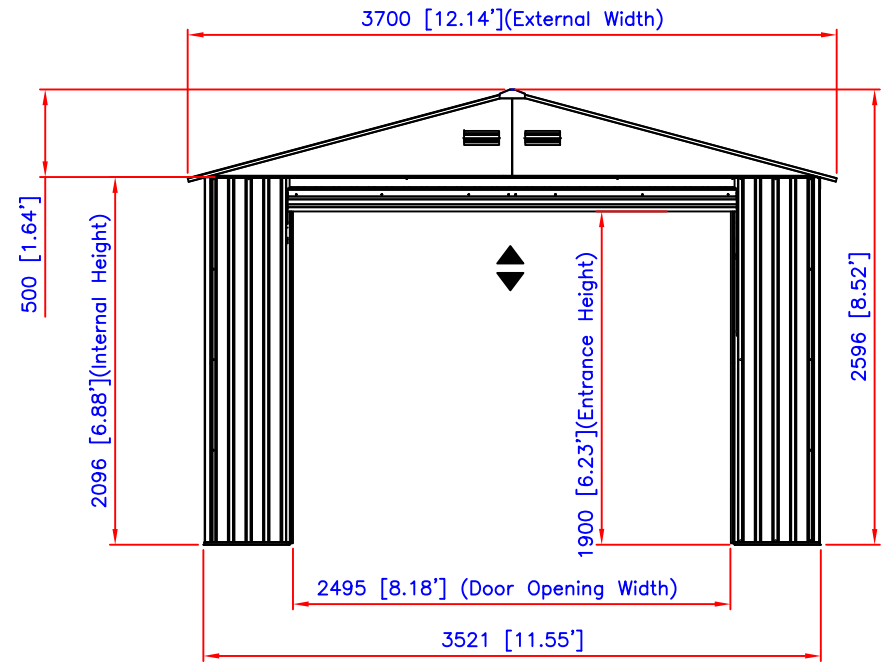
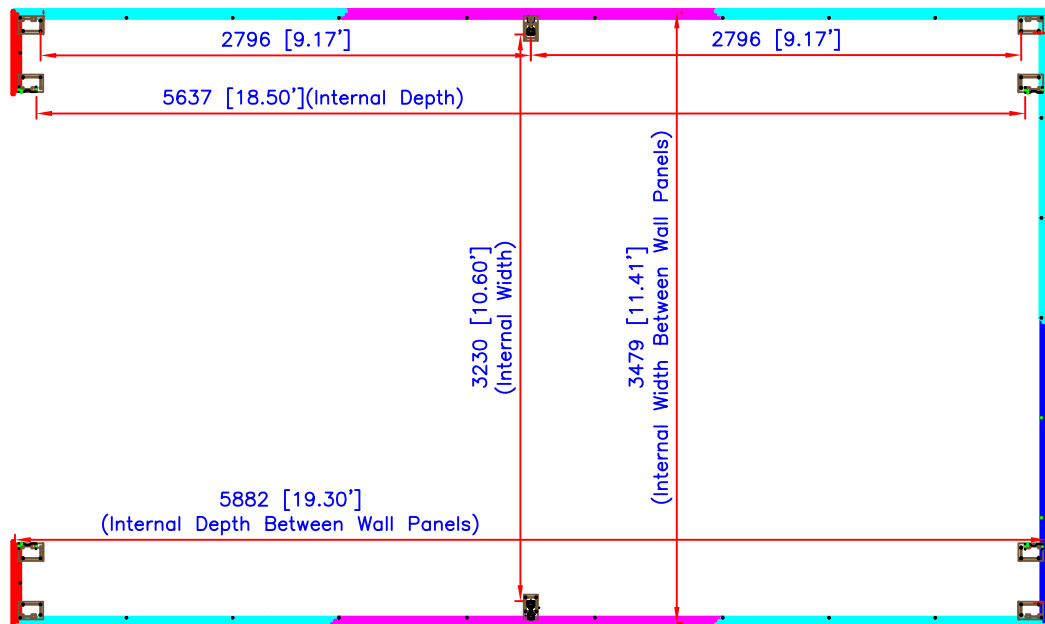


SIDE VIEW



ELEVATION



PLAN

12' x 20' Metal Garage Dimensions

Note - Dimensional tolerance $\begin{matrix} +5.0 \\ -5.0 \end{matrix}$ mm.